

Cup

Charmingly independent, Cup brings a bold sculptural presence to interior and exterior spaces. A circular form and booth seating hint at Cup's softer side and make it a vessel fit for collaboration or intimate moments of work or play. The materials used in the production of Cup can be recycled at the end of its lifecycle, allowing for eternal transformation.





Cup

Information

Design
Alexander Lotersztain, 2014

Environment
Outdoor

Warranty
5 year structural

Materials
Seat constructed from LDPE plastic. Table base in zinc primed, powder coated mild steel. Table top in HDPE plastic.

- Notes**
- In order to prevent theft, unit can be waterfilled to provide added weight.
 - If water filling isn't suitable for the intended environment, stainless steel floor fixing brackets are available.

Finishes

Seat

- | | |
|--|---|
|  White |  Black |
|  Off White
73 |  Dove Grey
878 |
|  Light Grey
888 |  Obsidian Glass
8021 |
|  Clay Brown
413 |  Merino
918 |
|  Mudbrick
991 |  Burgundy
503 |
|  Stock Red
578 |  Red
50 |
|  Terra
2115 |  Orange
61 |
|  Orange Tang
634 |  Shine
1253 |
|  Wasabi
157 |  Lime Green
257 |
|  Spring
2069 |  Dark Green
2081 |
|  Teal
338 |  Azure
3075 |
|  Glacier
2401 |  Light Blue
325 |
|  Dark Blue
326 |  Cobalt Blue
3021 |
|  Marble Ice
865 |  Marble Granite
866 |
|  Marble Forest
251 |  Translucent |

Table Base




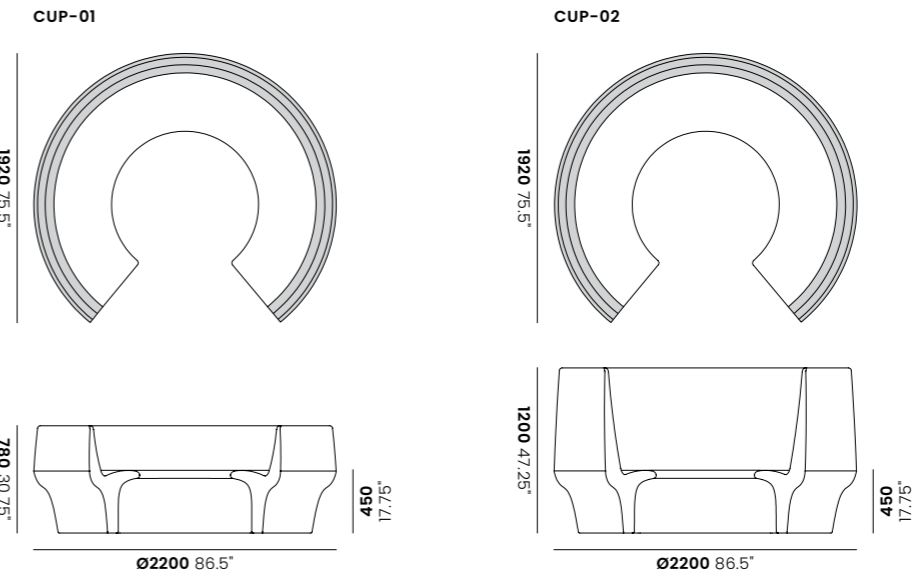
- | | |
|---|--|
|  White
Powder Coat |  Black
Powder Coat |
|  Custom
Powder Coat | |

Table Top

- | | |
|---|---|
|  White
HDPE |  Black
HDPE |
|---|---|

Dimensions

Seat



Table

